

FEATURES AND SPECIFICATIONS

Features and Benefits

- Sizes 2 to 28 circuits
- 4030 with voids is 4380 Series
- Various pin lengths available

Reference Information

Product Specification: PS-10-07

Packaging: Bag

UL File No.: E29179

CSA File No.: LR19980

Mates With: 2695, 4455, 6471, 7720, 7880 and 40555

Designed In: Inches

Electrical

Voltage: 250V

Current: 4.0A

Contact Resistance: 20mΩ max.

Dielectric Withstanding Voltage: 1500V

Insulation Resistance: 50K MΩ min.

Mechanical

Durability:

Tin—25 cycles max.

Gold—100 cycles max.

Physical

Housing: 4030—Red nylon, UL 94V-0

42152—White glass-filled nylon, UL 94V-0

Contact: Brass, 0.64mm (.025") square

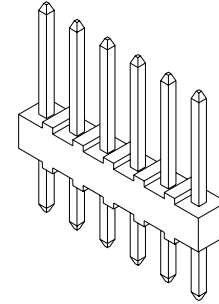
Plating: See Table

Temperature: 0 to +75°C

molex® 2.54mm (.100") Pitch KK® Solid Header

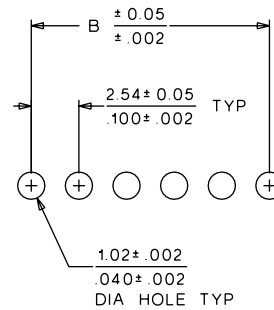
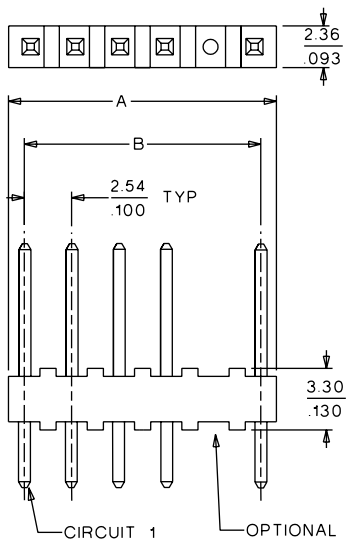
4030/42152

Vertical



PCB and Wire Connectors

J



PCB LAYOUT: COMPONENT SIDE
RECOMMENDED PCB THICKNESS:

1.57 ± 0.18
0.62 ± .007

Note: 4030 shown

ORDERING INFORMATION AND DIMENSIONS

Cir- cuits	Order No.					Dimension	
	4030		42152			A	B
	Tin	Gold	Tin	Gold	Select Gold		
2	22-03-2021	22-10-2021	22-66-2020	22-66-3020	22-10-7028	4.83 (.190)	2.54 (.100)
3	22-03-2031	22-10-2031	22-66-2030	22-66-3030	22-10-7038	7.37 (.290)	5.08 (.200)
4	22-03-2041	22-10-2041	22-66-2040	22-66-3040	22-10-7048	9.91 (.390)	7.62 (.300)
5	22-03-2051	22-10-2051	22-66-2050	22-66-3050	22-10-7058	12.45 (.490)	10.16 (.400)
6	22-03-2061	22-10-2061	22-66-2060	22-66-3060	22-10-7068	14.99 (.590)	12.70 (.500)
7	22-03-2071	22-10-2071	22-66-2070	22-66-3070	22-10-7078	17.53 (.690)	15.24 (.600)
8	22-03-2081	22-10-2081	22-66-2080	22-66-3080	22-10-7088	20.07 (.790)	17.78 (.700)
9	22-03-2091	22-10-2091	22-66-2090	22-66-3090	22-10-7098	22.61 (.890)	20.32 (.800)
10	22-03-2101	22-10-2101	22-66-2100	22-66-3100	22-10-7108	25.15 (.990)	22.86 (.900)
11	22-03-2111	22-10-2111	22-66-2110	22-66-3110	22-10-7118	27.69 (1.090)	25.40 (1.000)
12	22-03-2121	22-10-2121	22-66-2120	22-66-3120	22-10-7128	30.23 (1.190)	27.94 (1.100)
13	22-03-2131	22-10-2131	22-66-2130	22-66-3130	22-10-7138	32.77 (1.290)	30.48 (1.200)
14	22-03-2141	22-10-2141	22-66-2140	22-66-3140	22-10-7148	35.31 (1.390)	33.02 (1.300)

• US Standard Product, available through Molex franchised distributors

Note: In the Far East, the polyester product has different Engineering No. and Order No.

Cir- cuits	Order No.					Dimension	
	4030		42152			A	B
	Tin	Gold	Tin	Gold	Select Gold		
15	22-03-2151	22-10-2151	22-66-2150	22-66-3150	22-10-7158	37.85 (1.490)	35.56 (1.400)
16	22-03-2161	22-10-2161	22-66-2160	22-66-3160	22-10-7168	40.39 (1.590)	38.10 (1.500)
17	22-03-2171	22-10-2171	22-66-2170	22-66-3170	22-10-7178	42.93 (1.690)	40.64 (1.600)
18	22-03-2181	22-10-2181	22-66-2180	22-66-3180	22-10-7188	45.47 (1.790)	43.18 (1.700)
19	22-03-2191	22-10-2191	22-66-2190	22-66-3190	22-10-7198	48.01 (1.890)	45.72 (1.800)
20	22-03-2201	22-10-2201	22-66-2200	22-66-3200	22-10-7208	50.55 (1.990)	48.26 (1.900)
21	22-03-2211	22-10-2211	22-66-2210	22-66-3210	22-10-7218	53.09 (2.090)	50.80 (2.000)
22	22-03-2221	22-10-2221	22-66-2220	22-66-3220	22-10-7228	55.63 (2.190)	53.34 (2.100)
23	22-03-2231	22-10-2231	22-66-2230	22-66-3230	22-10-7238	58.17 (2.290)	55.88 (2.200)
24	22-03-2241	22-10-2241	22-66-2240	22-66-3240	22-10-7248	60.71 (2.390)	58.42 (2.300)
25	22-03-2251	22-10-2251	22-66-2250	22-66-3250	22-10-7258	63.25 (2.490)	60.96 (2.400)
26	22-03-2261	22-10-2261	22-66-2260	22-66-3260	22-10-7268	65.79 (2.590)	63.50 (2.500)
27	22-03-2271	22-10-2271	22-66-2270	22-66-3270	22-10-7278	68.33 (2.690)	66.04 (2.600)
28	22-03-2281	22-10-2281	22-66-2280	22-66-3280	22-10-7288	70.87 (2.790)	68.58 (2.700)